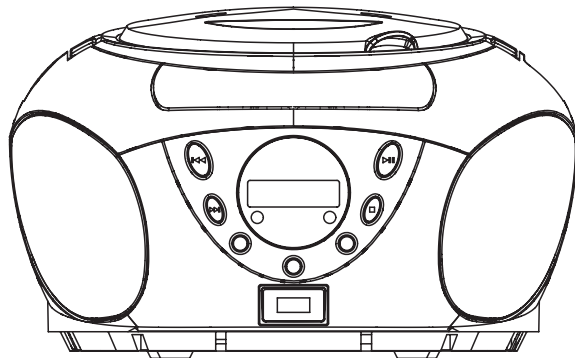






# INSTRUCTION MANUAL

## Portable CD/MP3 Player With AM/FM Radio & USB Inputs

MODEL: NPB-255



Please read and follow these instructions before using your unit.

 <p>The lightning flash with arrowhead symbol, with an equilateral triangle is intended to alert the user of the presence of unshielded dangerous voltage within the product's enclosure that may be of sufficient magnitude to constitute a risk of electric shock to persons.</p>	<b>CAUTION</b> RISK OF ELECTRIC SHOCK DO NOT OPEN	 <p>The exclamation point within an equilateral triangle is intended to alert the user of presence of important operating and maintenance (servicing) instructions in the literature accompanying the product.</p>
--	---	---

**WARNING:**  
TO AVOID THE RISK OF ELECTRICAL SHOCK, ALWAYS MAKE SURE THE PRODUCT IS UNPLUGGED FROM THE ELECTRICAL OUTLET BEFORE RELOCATING, SERVICING, OR CLEANING IT.

- ⚠ Read and follow all instructions. Keep these instructions for future reference.
- ⚠ Heed all warnings.
- ⚠ Do not use this product near water.
- ⚠ Do not ceiling- or wall-mount the product.
- ⚠ Do not block any ventilation openings. Install the product in accordance with the operating instructions.
- ⚠ Do not install the product near heat sources, such as radiators, heat registers, stoves, or other apparatus (including amplifiers) that produce heat.
- ⚠ Protect the power cord from being walked on or pinched, particularly at plugs, convenience receptacles, and the point where they exit the product.
- ⚠ Do not use attachments not recommended or sold by the product manufacturer, as a risk of fire, electrical shock, or serious personal injury may result.
- ⚠ Unplug the product during lightning storms or when unused for long periods of time.
- ⚠ Do not expose the product to dripping or splashing water.
- ⚠ Do not place objects filled with liquid (i.e., vases) on the product.
- ⚠ Do not place in or expose the product to direct sunlight, extreme heat, humid or dusty locations.
- ⚠ Never operate this product if it has a damaged Power Cord or plug, is not working properly, has been dropped, damaged, or exposed to moisture, water or other liquids. Do not attempt to examine or repair this product yourself. Return the product to a service center for examination and repair.

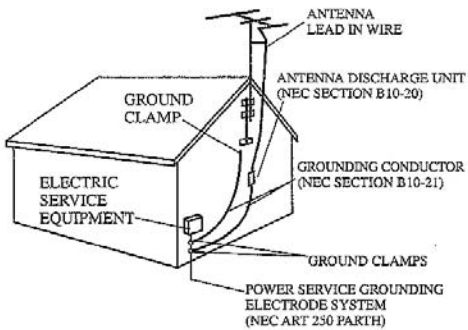
## SAFETY INSTRUCTIONS

THESE IMPORTANT SAFETY INSTRUCTIONS ARE INCLUDED, AS APPLICABLE TO THE APPLIANCE, CONVEYING TO THE USER THE INFORMATION ITEMIZED BELOW

1. **Read instructions** - All the safety and operating instructions should be read before the appliance is operated.
2. **Retain instructions** - The safety and operating instructions should be retained for future reference.
3. **Head Warnings** - All warnings and cautions on the appliance and in the operating instructions should be adhered to.
4. **Follow instructions** - All operating and use instructions should be followed.
5. **Water and Moisture** - The appliance should not be used near water, e.g. near a bathtub, washbowl, kitchen sink, laundry tub, in a wet basement, or near a swimming pool or the like.
6. **Wall or Ceiling Mounting** - The appliance should not be mounted to a wall or ceiling.
7. **Ventilation** - The appliance should be situated so that its location or position does not interfere with its proper ventilation. For example, the appliance should not be situated on a bed, sofa, rug or similar surface that may block the ventilation openings, or placed in a built-in installation, such as a bookcase or cabinet, that may impede the flow of air through the ventilation openings.
8. **Heat** - The appliance should be situated away from heat sources such as radiators, heat registers, stoves, or other appliances (including amplifiers) that produce heat.
9. **Power Sources** - The product should be operated only with the type of power supply indicated on the marking label. If you are not sure of the type of power supply to your home, consult your product dealer or local power company. For products intended to operate from battery power, or other sources, refer to the operation instructions.
10. **Grounding Polarization** - This product may be equipped with a polarized alternating current line plug (a plug having one blade wider than the other). This plug will fit into the power outlet only one way this is a safety feature. If you are unable to insert the plug fully into the outlet, try reversing the plug. If the plug should still fail to fit, contact your electrician to replace your obsolete outlet. Do not defeat the safety purpose of the polarized plug.
11. **Power-Cord Protection** - Power supply cords should be routed so that they are not likely to be walked on or pinched by items placed upon or against them, paying particular attention to cords at plugs, convenience receptacles, and the point where they exit from the appliance.
12. **Cleaning** - Unplug this product from the wall outlet before cleaning. Do not use liquid cleaners or aerosol cleaners. Use a damp cloth for cleaning.
13. **Nonuse periods** - The power cord of the appliance should be unplugged from the outlet when left unused for a long period of time.
14. **Object and Liquid Entry** - Care should be taken so that objects do not fall and liquids are not spilled into the product case through product openings.
15. **Damage Requiring Service** - Unplug this product from the wall outlet and take it to qualified service personnel under the following conditions.
  - a) When the power-supply cord or plug is damaged.
  - b) If liquid has been spilled into, or objects have fallen into the product.
  - c) If the product has been exposed to rain or water.
  - d) If the product does not operate when used according to the operating instructions. Adjust only those controls that are covered by the operating instructions as an improper adjustment of other controls may interfere with the product's normal operation.
  - e) If the product has been dropped or damaged in any way.
  - f) When the product exhibits a distinct change in performance- this indicates a need for service.

16. **Serviceing** - The user should not attempt to service the product beyond that described in the operating instruction. All serviceing should be referred to qualified service personnel.
17. **Power Lines** - An outside antenna system should not be located in the vicinity of overhead power lines, or other electric light or power circuits, or where it can fall into such power lines or circuits. When installing an outside antenna system, extreme care should be taken to keep from touching power lines or circuits as contact with them might be fatal.
18. **Outdoor Antenna Grounding** - If an outside antenna is connected to the receiver, be sure the antenna system is grounded so as to provide some protection against voltage surges and built up static. Section 810 of the National Electrical Code ANSI/NEFA 70 provides information with respect to proper grounding of the mast and supporting structure, grounding conductors, location of antenna-discharge unit, size of grounding electrodes, and requirements for the grounding electrode (see figure).
19. **Cleaning** - Unplug this product from the wall outlet before cleaning. Do not use liquid cleaners or aerosol cleaners. Use a damp cloth for cleaning.
20. **Lightning** - For added protection for this product during a lightning storm, or when it is left unattended and unused for long periods of time, unplug it from the wall outlet and disconnect the antenna or cable system. This will prevent damage to the product due to lightning and power-line surges.
21. **Safety Check** - Upon completion of any service or repairs to this product, ask the service technician to perform safety checks to determine that the product is in proper operation condition.
22. **Overloading** - Do not overload wall outlets, extension cords, or integral convenience receptacles as this can result in a risk of fire or electric shock.

**EXAMPLE OF ANTENNA GROUNDING AS PER NATIONAL ELECTRICAL CODE**



**NEC NATIONAL ELECTRICAL CODE**

Do not apply oil or petroleum products to this product.

**CAUTION**

Invisible laser radiation will be emitted when the product is open and interlocks are defeated. Do not defeat the safety interlocks.

**GRAPHIC SYMBOLS WITH SUPPLEMENTARY MARKINGS ARE LOCATED ON THE BOTTOM OF THE UNIT.**

**USE OF CONTROLS, ADJUSTMENTS, OR PERFORMANCE PROCEDURE HEREIN MAY RESULT IN HAZARDOUS RADIATION EXPOSURE.**

**WARNING:**

This product contains lead, a chemical known to the State of California to cause cancer and birth defects or other reproductive harm. *Wash your hands after handling.*

**CAUTION:**

This product is equipped with a polarized plug (one blade is wider than the other blade) as a safety feature to reduce the risk of electrical shock. This plug will fit into a polarized outlet only one way. This is a safety feature. If you are unable to insert the plug into the electrical outlet, try reversing the plug. If the plug still does not fit, contact a qualified electrician. Never use the plug with an extension cord unless the plug can be fully inserted into the extension cord. Do not alter the plug. Do not attempt to defeat the safety purpose of the polarized plug.

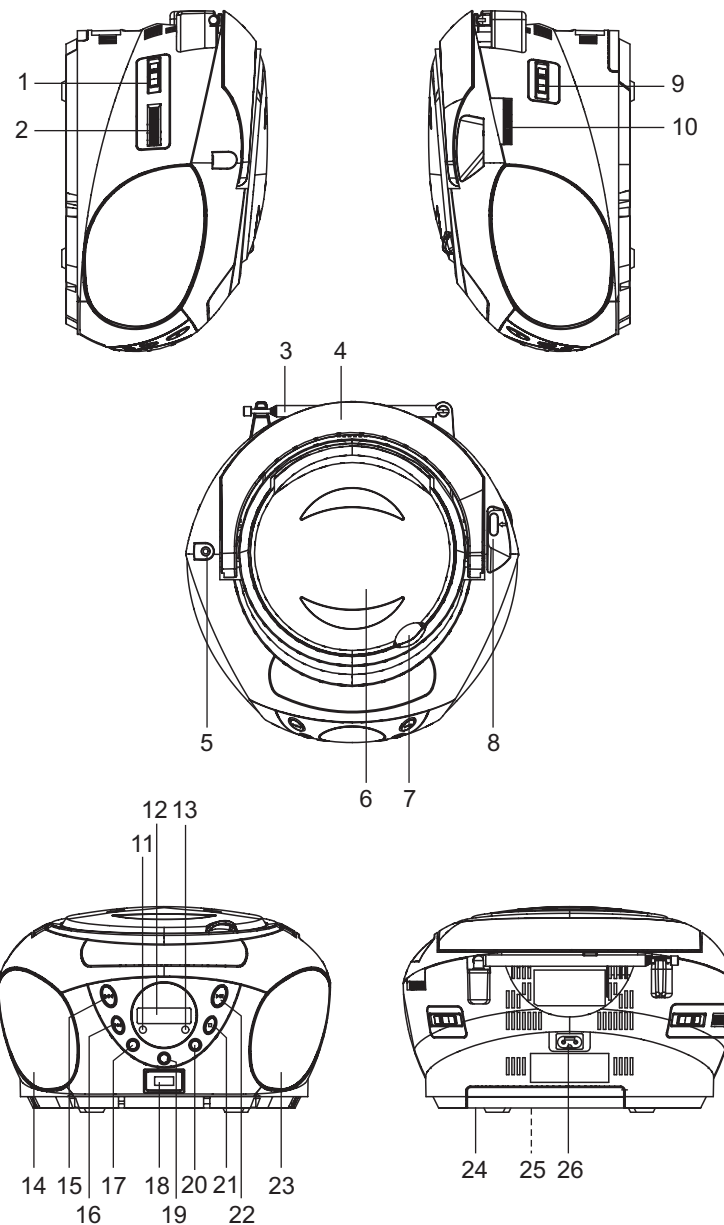
**IMPORTANT INFORMATION REQUIRED BY THE FCC**

This device complies with Part 15 of the FCC Rules. Operation is subject to the following two conditions: (1) this device may not cause harmful interference; and (2) this device must accept any interference received, including interference that may cause undesirable operation.

**NOTE:** This equipment has been tested and found to comply with the limits for a Class B digital device, pursuant to Part 15 of the FCC Rules. These limits are designed to provide reasonable protection against harmful interference in a residential installation. This equipment generates, uses and can radiate radio frequency energy and, if not installed and used in accordance with the instructions, may cause harmful interference to radio reception, which can be determined by turning the equipment off and on. The user is encouraged to try to correct the interference by one or more of the following measures:

- Reorient or relocate the receiving antenna.
- Increase the separation between the equipment and receiver.
- Connect the equipment into an outlet on a circuit different from that to which the receiver is connected.
- Consult the dealer or an experienced radio/TV technician for help.

**OVERVIEW OF THE PLAYER**



## LOCATION OF CONTROLS

1. FUNCTION SWITCH
2. VOLUME CONTROL
3. FM TELESCOPIC ANTENNA
4. FOLDING HANDLE
5. AUX IN JACK
6. CD DOOR
7. CD DOOR OPEN AREA
8. DIAL SCALE
9. BAND SWITCH
10. TUNING CONTROL
11. POWER INDICATOR
12. LCD DISPLAY
13. FM ST. INDICATOR
14. LEFT SPEAKER
15. SKIP/SEARCH DOWN BUTTON
16. SKIP/SEARCH UP BUTTON
17. 10+ BUTTON
18. USB PORT
19. PROG. BUTTON
20. MODE BUTTON
21. STOP/USB BUTTON
22. PLAY/PAUSE BUTTON
23. RIGHT SPEAKER
24. BATTERY COMPARTMENT
25. AC VOLTAGE SELECTOR  
(ON THE BATTERY  
COMPARTMENT) (OPTIONAL)
26. AC SOCKET

## POWER SUPPLY

### □ BATTERY OPERATION

1. Remove the battery compartment cover gently.
2. Install 8 x 'C' size batteries (UM-2 or equivalent) while observing the correct polarities.
3. Replace the battery compartment cover.

#### NOTE:

- The AC cord must be detached from the AC socket of the player.
- Leaking batteries may damage the battery cabinet and the player as a whole, so they should be removed from the cabinet when becoming flat or when the player is not to be played on batteries for some time.

### □ AC OPERATION

Insert the AC cord to the AC socket of the player, and plug the other end to an applicable wall outlet.

**NOTE:** Please be sure the AC Voltage Selector is switched to your local voltage if applicable.

**NOTE:** If the AC plug of this unit does not fit in with your AC outlet, a plug adaptor should be used. Consult your local dealer on the type of plug adaptor.

## TO PLAY THE RADIO

1. Set the FUNCTION switch to the RADIO position, the POWER Indicator will light up.
2. Select the desired band with the BAND switch.
3. Tune to the desired station by rotating the TUNING control (rotate that control back and forth until you get the strongest and clearest reception).
4. When FM (stereo) station is received, the FM indicator will be lit up.
5. The built-in AM antenna and external FM TELESCOPIC ANTENNA are directional.
  - When you are receiving an FM broadcast, fully extend the TELESCOPIC ANTENNA and rotate it for the best reception.
  - For AM broadcast, rotate the whole set until the best reception is heard.
6. Adjust the volume level to a comfortable listening level.
7. To turn off the radio, set the FUNCTION switch to the OFF position.

## HANDLING AND MAINTENANCE OF A DISC

Follow the instructions below to handle and maintain your disc in order that long time and trouble free performance can possibly be obtained:

- Ensure not to caress the rainbow side of the disc; handle the disc by the edge.
- Long time exposure to sunshine, high temperatures and humidity will damage the disc. And keep storage area clean.
- Avoid sticking labels on both sides of a disc. Writing with pointed articles on the disc should be strictly avoided.
- Clean the disc wiping the centre and then working out to the edge with a dry & soft cloth or a disc brush. Avoid any cleansing lotion or chemical eradicator.
- Store them in their cases when they are not to be used.

## LOAD A DISC

1. Open the CD door by the Door open area.
2. Load a disc on the disc tray with the label side facing up.
3. Close the CD door.

## PLAY A DISC

1. Slide the Function switch to CD/USB/AUX position.
2. Follow the steps above to load a disc.
3. The player begins reading disc immediately.
4. When the disc is successfully read, total number of tracks shows in the LCD and playback follows with the first track.
5. Press Play/Pause button once to halt music playback, the track number flashes to indicate the player in Pause mode; press Stop button to cease music playback. The LCD shows the total number of tracks again.

## SKIP TRACKS AND SEARCH FOR A SPECIFIC POINT TO PLAY (CD)

1. Press once the SKIP/SEARCH up button in music play to skip to the next track. To skip to a specific track ahead, press this button several times.
2. Press once the SKIP/SEARCH down button in music play to skip to the previous track. To skip to a specific track at back, press this button several times.
3. Press 10+ button once in play to skip to the track 10 tracks ahead, twice to skip to the track 20 tracks ahead. You can reach the last track of the disc using this button.
4. Hold the SKIP/SEARCH up button in music play to search at quick rate for a specific point to play.
5. Hold the SKIP/SEARCH down button in music play to search at quick rate for a specific point to play.

## PROGRAMMED PLAY (CD/USB/MP3)

Programmed play is that tracks on the disc or on the USB can be edited for playback in a preferred order with the use of PROGRAM button.

In stop mode, press PROG. button once, the program sequence indication "P01" flashes with "PROG" icon in the LCD at the moment. Then a flickering track number shows in the LCD with "PROG" icon waiting for your input, select the first track to be programmed using SKIP/SEARCH buttons or 10+ button, and press PROGRAM button again to store and advance to the next programming step. The program sequence indication changes to "P02" and then a flickering track number shows on the screen waiting for your next input.



Repeat the steps above to program more tracks. A maximum of 20 tracks for CD and 99 tracks for USB&MP3 can be programmed in memory in a preferred order.

Press PLAY/PAUSE button to begin programmed play in the preferred order after you are done with programming. The player stops automatically after all programmed tracks are played.

You may press STOP button to terminate programmed playback. In program stop mode, press STOP button again to clear the programming; press PLAY/PAUSE button to begin the programmed playback with the programming order identical with the previous one done.

### **MP3-CD PLAYBACK**

This player is capable of MP3-CDs. It takes longer time for this player to read an MP3-CD than it does CD-DA. Wait patiently while it is reading.

After an MP3-CD is successfully read, the total tracks number shows in the LCD. And a second later, playback begins from the first track with the icon of "Mp3" showing on the screen.

### **SKIP TRACKS AND SEARCH FOR A SPECIFIC POINT TO PLAY**

1. Press once the SKIP/SEARCH up button in music play to skip to the next track. To skip to a specific track ahead, press this button several times.
2. Press once the SKIP/SEARCH down button in music play to skip to the previous track. To skip to a specific track at back, press this button several times.
3. Press 10+ button once in play to skip to the track 10 tracks ahead, twice to skip to the track 20 tracks ahead. You can reach the last track of the disc using this button.
4. Hold the SKIP/SEARCH up button in music play to search at quick rate for a specific point to play.
5. Hold the SKIP/SEARCH down button in music play to search at quick rate for a specific point to play.

### **REPEAT A SINGLE TRACK (CD/USB/MP3)**

To repeat a preferred track in playback, press MODE button once, the corresponding icon of repeat a single track shows in the LCD. Then select the preferred track using SKIP/SERCH buttons or 10+ button. The player will repeat the chosen track until you press STOP button.

### **REPEAT ALL TRACKS (CD/USB/MP3)**

To repeat all tracks, press MODE button twice in play mode, the corresponding icon of repeat all tracks shows in the LCD. The player will repeat all tracks until you press STOP button.

### **RANDOM PLAY (CD/USB/MP3)**

Random play is that tracks on the disc are played by the player at random. Press MODE button three times to enter this mode during play, the icon of random play shows in the LCD. Tracks on the disc will be selected at random for playback and the player stops automatically after all tracks are played. You may press STOP button to exit random play mode and press PLAY/PAUSE button to resume normal playback.

### **INTRODUCTION PLAY (CD/USB/MP3)**

Introduction play is that the first ten seconds of each track are played in a sequential order. Press MODE button four times to enter this mode during play, the icon of introduction play shows in the LCD. Press SKIP/SEARCH up button in Introduction mode to begin Introduction play from the next track immediately after the current track. Press SKIP/SEARCH down button in Introduction mode to begin Introduction play from the previous track. Press MODE button once more to exit introduction and return to normal playback from the track the unit plays. Press Play/pause button to resume normal play from the current track.

### **EXTERNAL MEMORY MEDIA OPERATION (USB)**

#### **Prepare the player for external memory media operation**

Insert a USB data traveller into the USB port; slide the FUNCTION switch to the CD/USB/AUX position and use STOP/USB button to switch to USB mode( in STOP mode). Playback will start from the first track after reading the USB successfully.

### **VARIOUS PLAY MODES (USB)**

#### **SKIPPING TRACKS AND SEARCHING BETWEEN TRACKS**

Press SKIP UP button once to skip the current track and play the next track, press this button continuously to go to corresponding tracks ahead; Press SKIP DOWN button once to skip the current track and go back to the previous track, press this button continuously to go back to corresponding tracks at back. Press and hold SKIP buttons to initiate high-rate scanning between tracks; release one of them to begin playback of music at normal speed.

### **AUXILIARY IN**

Your player can be used as a power amplifier to playback the programs from portable radio, TV set or MP3 player or whatever provided this appliance is so designed that audio signal may be produced through a LINE-OUT jack or the like.

Observe the following steps to connect the player to another appliance:

1. Power the player on using the supplied AC Power Cord.
2. Slide Function Switch to CD/USB/AUX position.
3. Connect the appliance into the player's AUX in jack with the supplied LINE OUT cable of the appliance.
4. Power on the appliance and begin play.

Easy job, right? At this time you will be able to hear the sound produced from the programs the connected appliance is broadcasting.

### **CAUTION**

- The apparatus shall not be exposed to dripping or splashing and that no objects filled with liquids, such as vases, shall be placed on the apparatus.
- Minimum distances 2.0cm around the apparatus for sufficient ventilation.
- The ventilation should not be impeded by covering the ventilation openings with items, such as newspapers, table-cloths, curtains, etc.
- No naked flame sources, such as lighted candles, should be placed on the apparatus.
- When the mains plug or an appliance coupler is used as the disconnect device, the disconnect device shall remain readily operable.
- The use of apparatus is in tropical and/or moderate climates.
- Attention should be drawn to the environmental aspects of battery disposal.